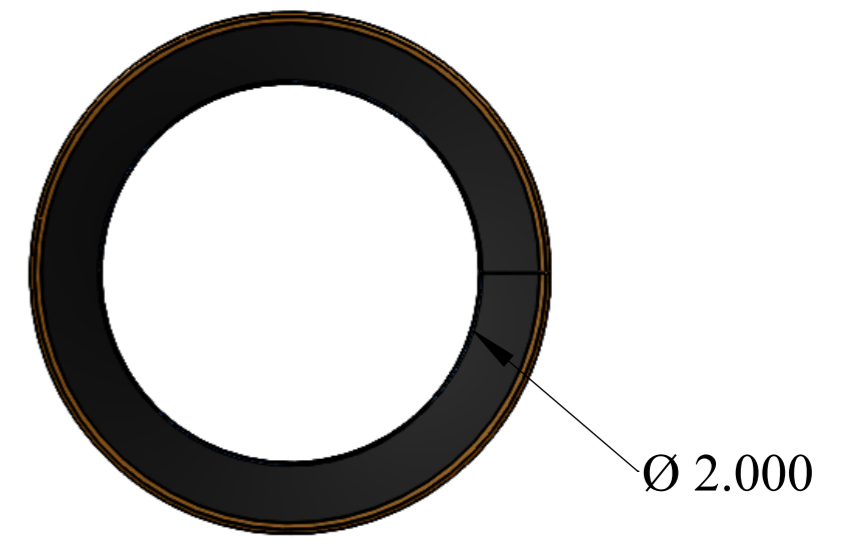
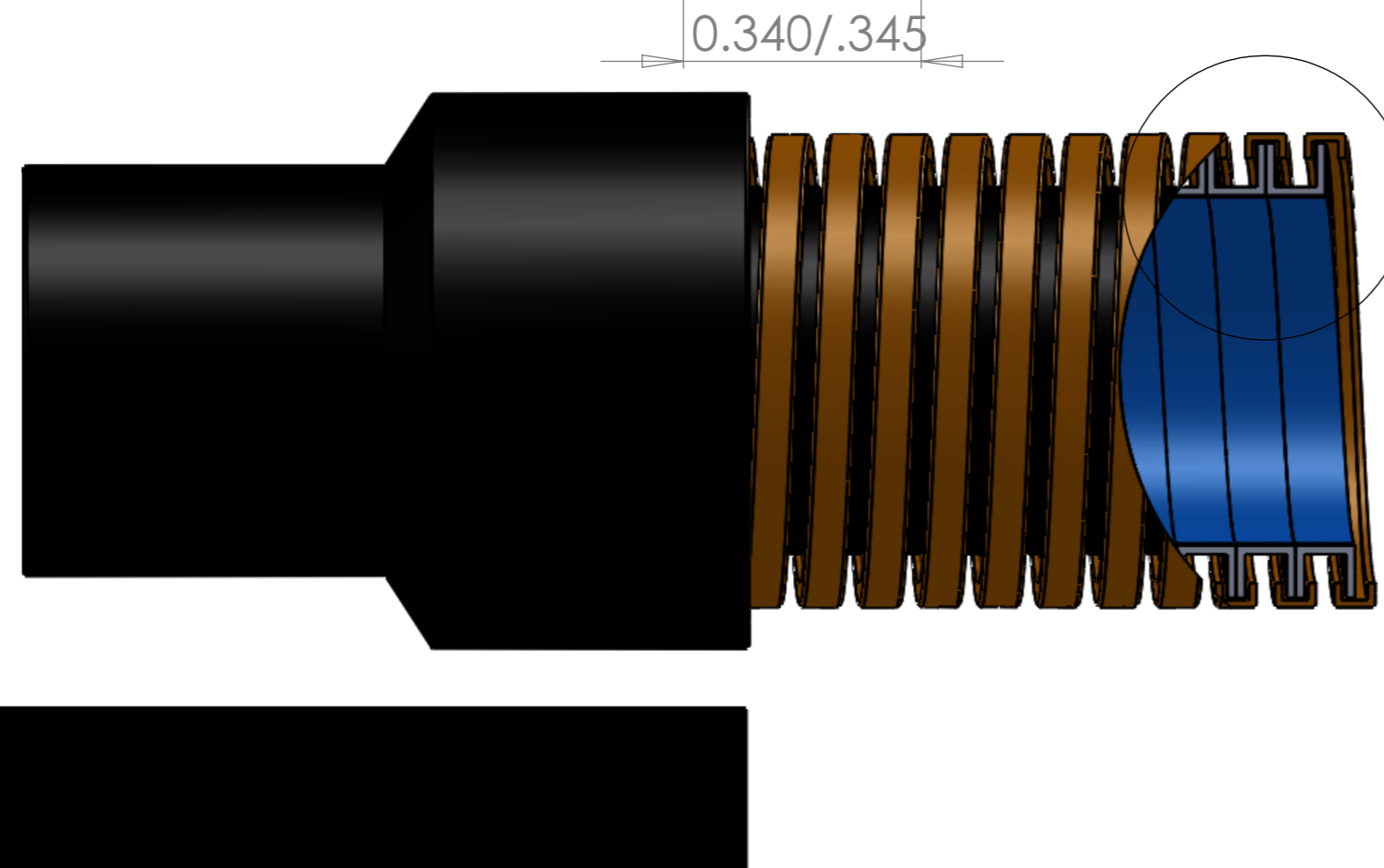
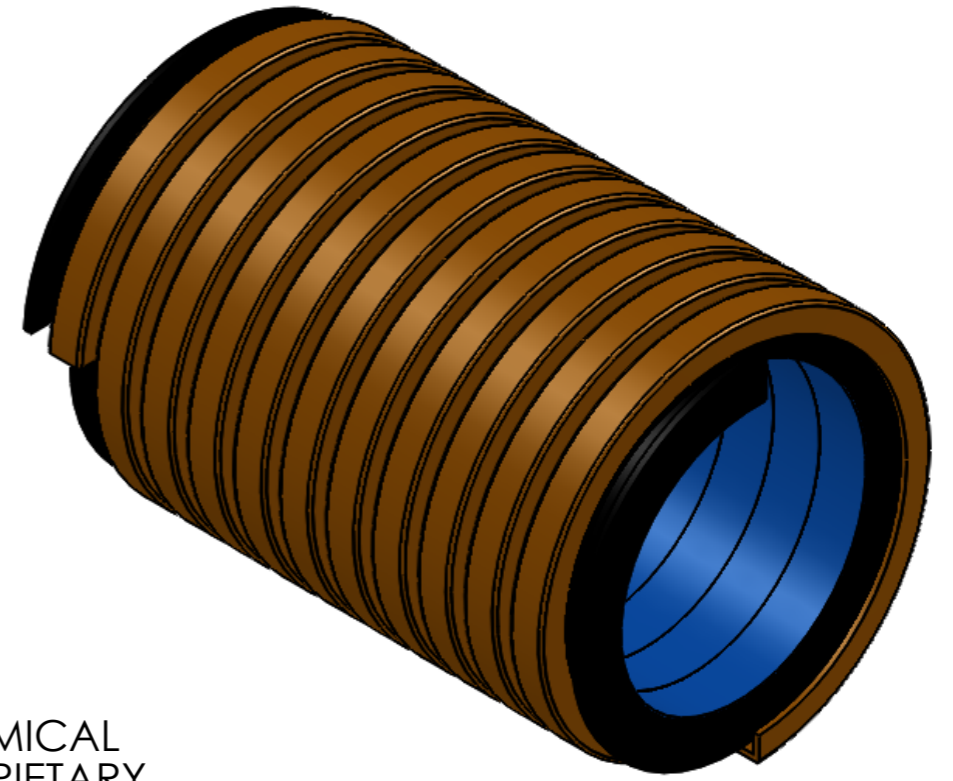


TEMPERATURE & CHEMICAL  
RESISTANT LINER (PROPRIETARY  
POLYOLEFIN)

DETAIL B



UNLESS OTHERWISE SPECIFIED: DIMENSIONS ARE IN MILLIMETERS SURFACE FINISH: TOLERANCES: LINEAR: ANGULAR:				FINISH:		DEBUR AND BREAK SHARP EDGES		DO NOT SCALE DRAWING		REVISION			
								AMFLEX PLASTICS INC					
								TITLE:					
								PRO-CLIPSE 2"					
								DWG NO.		PE200		A3	
								WEIGHT:		SHEET 1 OF 1			

	NAME	SIGNATURE	DATE				
DRAWN	Alejandro	Alejo	10/28/14				
CHK'D							
APPV'D							
MFG							
Q.A							